

75-270kg



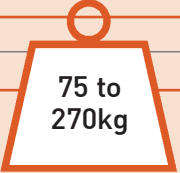
# BZPC SERIES

Zinc-plated, pressed steel housing with sealed double ball race in swivelhead.

Available with top plate fixing.

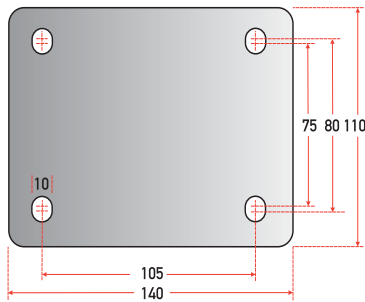
BZPC SERIES PNEUMATIC/PUNCTURE-PROOF

WHEEL CODE							PR	MR	PP	PU
Wheel diam or (mm)	Swivel or fixed	Tread width (mm)	Overall height (mm)	Plate type	Swivel radius (mm)	Bearing type	Pneumatic tyre on plastic centre	Pneumatic tyre on steel centre	Puncture-proof tyre on plastic centre	Puncture-proof tyre on steel centre
200	S	50 ribbed	232	A	167		BZPC200PRB 75kg	BZPC200MRB 75kg	-	-
	F						BZPCF200PRB 75kg	BZPCF200MRB 75kg	-	-
260	S	85 diamond	302	B	215		BZPC260PRB 120kg	BZPC260MRB 200kg	-	-
	F						BZPCF260PRB 120kg	BZPCF260MRB 200kg	-	-
260	S	85 ribbed	302	B	215		-	BZPC260MRB6 270kg	-	-
	F						-	BZPCF260MRB6 270kg	-	-
260	S	85 ribbed	302	B	215		-	-	BZPC260PPUB 120kg	BZPC260MPUB 120kg
	F						-	-	BZPCF260PPUB 120kg	BZPCF260MPUB 120kg

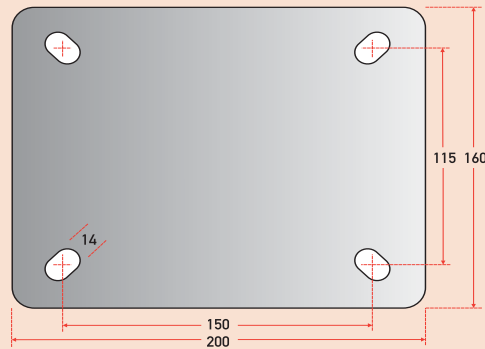


## PLATE TYPE & DIMENSIONS (mm)

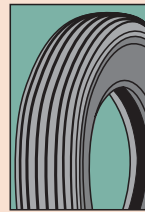
### Type A



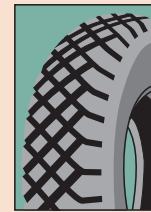
### Type B



A69



Ribbed pattern



Diamond pattern

### WHEEL BEARING KEY

Needle roller

## AVAILABLE WHEEL TYPES (for full wheel specifications refer to pages indicated)



p104

p104

p105

p105

p106

p107

Call Merlin 0845 124 9955