

SCREEN SYSTEM PLUS

Glass Screen RANGE

For a light and contemporary feel in your restaurant, office or reception area.

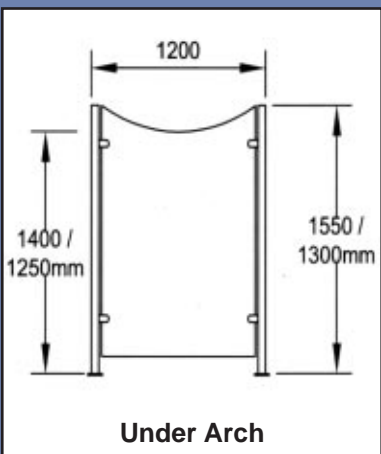
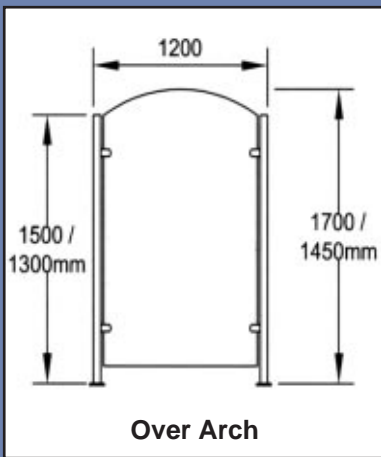
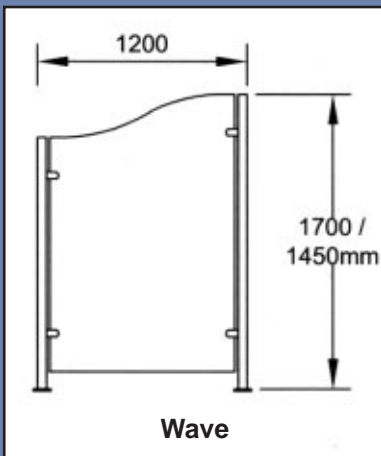
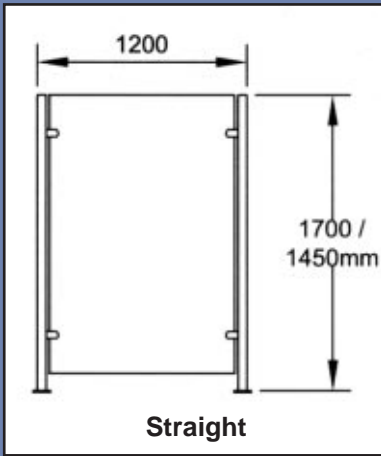
Offering versatility in shape, size and location, this screen range makes available a sophisticated and clean look in the workspace, restaurant or reception area.

As with all Screen System Plus screens, breakfast bars and logos can be provided initially or added at a later date. Keep your options light and open with Screen System Plus glass screens.



SCREEN
PLUS

SPECIFICATION



POST:

Diameter..... 32mm and 50mm

FINISHES:

Powder Coated
Chrome
Brushed Stainless Steel

SCREEN:

Height..... 1700mm & 1450mm
Width..... 1200mm

GLASS PANELS:

Thickness..... 10mm
Shape..... Straight, Wavy, & Oval as standard custom shapes available.
Edges..... Polished.

FROSTED IMAGES:

Frosted or coloured single images can be applied to create logos, names or products.

LINKING FACILITY:

Linked together either in straight lines or at specific angles to create 2, 3 or 4 way configuration.

POST FEET:

Free Standing..... 400mm long.
Floor Fixed..... 150mm long.
Shape..... Straight or Oval.
Castors..... Castors available for ease of movement.

CUSTOM DESIGN:

We can manufacture to meet your requirements (subject to material restrictions).

ADAPTABILITY:

Breakfast bars & shelving can be incorporated within the design. Also can be adapted to include visual displays ie; leaflet dispensers & other promotional material or products.

DELIVERY:

Delivered fully assembled or built on site, using our own vehicles to ensure the panels arrive in perfect condition & are ready for immediate use.

Castored feet.



Floor fixed.



Please contact us for further information:

Merlin Industrial Products LTD
Kingsley Close, East Way
Lee Mill Industrial Estate
Ivybridge
Devon
PL21 9LL
United Kingdom
Telephone: 0845 124 9955
Fax: 0845 125 9955
<http://www.merlin-industrial.co.uk>