
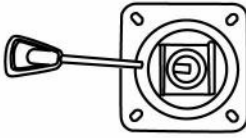

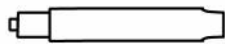

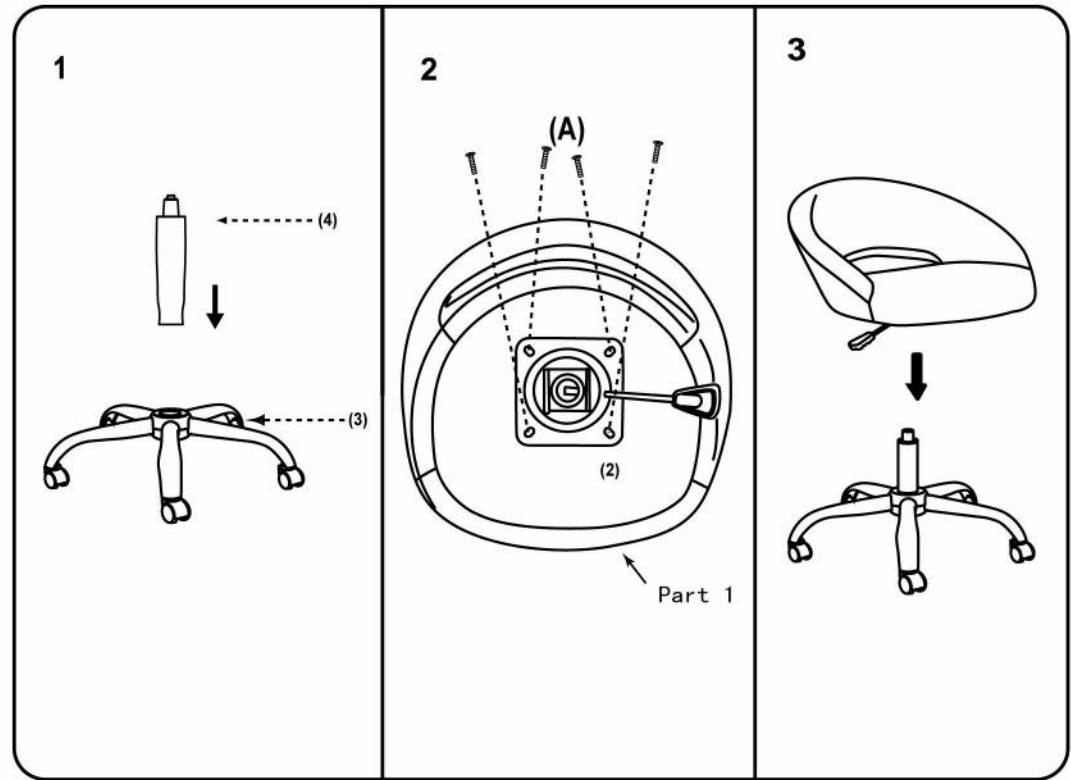


(1)x1	(2)x1	(3)x1
		
(4)x1		
		
<p><b>Please unscrew all screws from cushion before assembly.</b></p> <p>(A)x4  M8X22 MECHANISM SCREW</p>		



Call 0845 124 9955 Merlin Industrial Products Ltd



It is important to assemble all parts so that the directional "Arrows" point in the same direction. Make certain that all screws are FULLY tightened before using the chair. For optimum use, maintenance for the chair is required. Every month, please check all screws and tighten any that may have loosened.