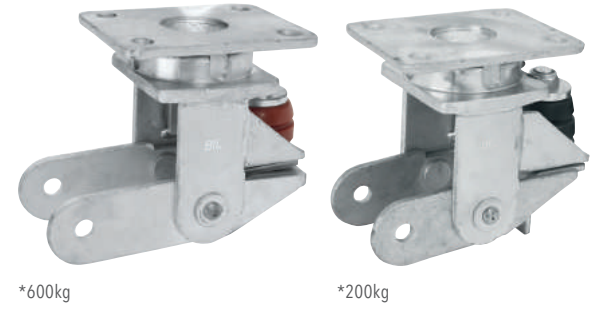


BZKL - SPR SERIES

Fabricated Zinc Plated Steel
Single Ball Race Swivel Head



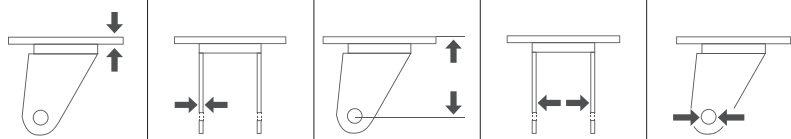
*600kg

*200kg



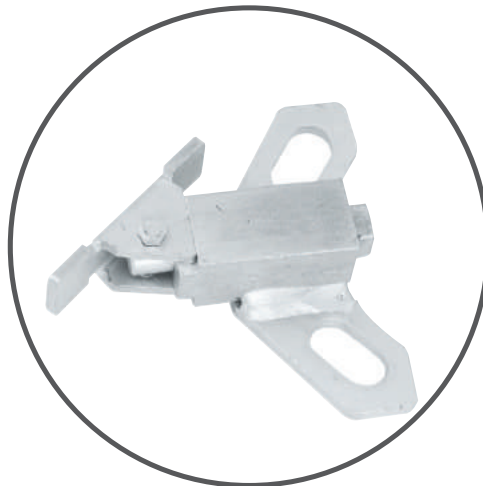
PLATE FIXING 200-600kg 150-200mm

Plate Fitting



Dia (mm)	Swivel Code	Swivel Brake Code	Fixed Code	Plate Fitting	Steel Gauge Plate (mm)	Steel Gauge Fork (mm)	Height To Axle Hole (mm)	Fork Width (mm)	Axle Bolt (mm)	Load Capacity (kg)
150	BZKL150ASSPR200	-	BZKFL150ASSPR200	A	7.5	6	*128	65	12	200
150	BZKL150ASSPR	-	BZKFL150ASSPR	A	7.5	6	*128	65	12	600
200	BZKL200ASSPR200	-	BZKFL200ASSPR200	A	7.5	6	*157	65	12	200
200	BZKL200ASSPR	-	BZKFL200ASSPR	A	7.5	6	*157	65	12	600

*Height reduced by 20mm when compressed



Directional Lock Available Add DL To Code
- Not Suitable For BZKL-SPR Series

- Heavy duty castors with built-in suspension
- Unique elastomeric spring system reduces bounce under light loading
- Substantial noise reduction
- Reduction of wear and tear to floor surfaces
- Increase in wheel and equipment longevity
- Shock absorption protects the load
- Improved handling of equipment especially when cornering
- Ideal for use in aerospace, glass and motor industries



BZKL SERIES

Fabricated Zinc Plated Steel
Single Ball Race Swivel Head



PLATE FIXING 180-900kg 100-200mm

Top Plate Fixing

Dia	Plate (mm)	Centres (mm)	Fixing Bolt (mm)	Type	Bearing	Nylon			65 Shore A Black High Quality Elastic Rubber On Aluminium			55 Shore A Black High Quality Elastic Rubber On Aluminium			75 Shore A Black Elastic Rubber On Cast Iron						
						Code	Load (kg)	Tread (mm)	Radius (mm)	Code	Load (kg)	Tread (mm)	Radius (mm)	Code	Load (kg)	Tread (mm)	Radius (mm)	Code	Load (kg)	Tread (mm)	Radius (mm)
100	140	138 x 110	105 x 80/75	10	⊗	P256			P272			P273			P274						
						BZKL100NY	400	35	77	-	-	77	-	-	77	-	-	77	-	-	77
						BZKL100NYBJ	650	40	-	BZKL100ERBJ	250	50	-	BZKL100SRERBJ	180	50	-	BZKL100CRBJ	210	50	-
						BZKL100NYSWB	400	35	100	-	-	100	-	-	100	-	-	100	-	-	100
						BZKL100NYBSWB	650	40	-	BZKL100ERBJSWB	250	50	-	BZKL100SRERBJSWB	180	50	-	BZKL100CRBJSWB	210	50	-
						BZKFL100NY	400	35	-	-	-	-	-	-	-	-	-	-	-	-	-
					BZKFL100NYBJ	650	40	-	BZKFL100ERBJ	250	50	-	BZKFL100SRERBJ	180	50	-	BZKFL100CRBJ	210	50	-	
					⊗	BZKL125NY	-	-	-	-	-	-	-	-	-	-	-	-	-	-	-
						BZKL125NYB	750	45	95	-	-	95	-	-	95	-	-	95	-	-	95
						BZKL125NYBJ	-	-	-	BZKL125ERBJ	270	50	-	BZKL125SRERBJ	225	50	-	BZKL125CRBJ	300	50	-
						BZKL125NYSWB	-	-	-	-	-	-	-	-	-	-	-	-	-	-	-
						BZKL125NYBSWB	750	45	100	-	-	100	-	-	100	-	-	100	-	-	100
BZKL125NYBJSWB	-	-	-	BZKL125ERBJSWB		270	50	-	BZKL125SRERBJSWB	225	50	-	BZKL125CRBJSWB	300	50	-					
125	165	138 x 110	105 x 80/75	10	⊗	BZKFL125NY	750	45	-	-	-	-	-	-	-	-	-				
						BZKFL125NYB	750	45	-	-	-	-	-	-	-	-	-	-	-		
						BZKFL125NYBJ	900	50	-	BZKFL125ERBJ	270	50	-	BZKFL125SRERBJ	225	50	-	BZKFL125CRBJ	300	50	-
						BZKL150NY	800	-	-	-	-	-	-	-	-	-	-	-	-	-	-
						BZKL150NYB	800	45	115	-	-	115	-	-	115	-	-	115	-	-	115
						BZKL150NYBJ	900	-	-	BZKL150ERBJ	350	50	-	BZKL150SRERBJ	250	50	-	BZKL150CRBJ	350	50	-
					⊗	BZKL150NYSWB	800	-	-	-	-	-	-	-	-	-	-	-	-	-	-
						BZKL150NYBSWB	800	45	150	-	-	150	-	-	150	-	-	150	-	-	150
						BZKL150NYBJSWB	900	-	-	BZKL150ERBJSWB	350	50	-	BZKL150SRERBJSWB	250	50	-	BZKL150CRBJSWB	350	50	-
						BZKFL150NY	800	-	-	-	-	-	-	-	-	-	-	-	-	-	-
						BZKFL150NYB	800	45	-	-	-	-	-	-	-	-	-	-	-	-	-
						BZKFL150NYBJ	900	-	-	BZKFL150ERBJ	350	50	-	BZKFL150SRERBJ	250	50	-	BZKFL150CRBJ	350	50	-
150	195	138 x 110	105 x 80/75	10	⊗	BZKL200NY	900	50	152	-	-	152	-	-	152	-	-	152			
						BZKL200NYB	900	50	-	BZKL200ERBJ	500	50	-	BZKL200SRERBJ	380	50	-	BZKL200CRBJ	450	50	-
						BZKL200NYBJ	-	-	-	-	-	-	-	-	-	-	-	-	-	-	-
						BZKL200NYSWB	900	50	155	-	-	155	-	-	155	-	-	155	-	-	155
						BZKL200NYBSWB	900	50	-	BZKL200ERBJSWB	500	50	-	BZKL200SRERBJSWB	380	50	-	BZKL200CRBJSWB	450	50	-
						BZKL200NYBJSWB	-	-	-	-	-	-	-	-	-	-	-	-	-	-	-
					⊗	BZKFL200NY	900	50	-	-	-	-	-	-	-	-	-	-	-	-	-
						BZKFL200NYB	900	50	-	-	-	-	-	-	-	-	-	-	-	-	-
						BZKFL200NYBJ	900	50	-	BZKFL200ERBJ	500	50	-	BZKFL200SRERBJ	380	50	-	BZKFL200CRBJ	450	50	-
						BZKL200NY	-	-	-	-	-	-	-	-	-	-	-	-	-	-	-
						BZKL200NYB	-	-	-	-	-	-	-	-	-	-	-	-	-	-	-
						BZKL200NYBJ	-	-	-	-	-	-	-	-	-	-	-	-	-	-	-



Footguards Available
Add FG To Code



Directional Locks Available
Add DL To Code

P 300				P 280				P 284				P 284				P 286			
Cast Iron				96 Shore A Brown Polyurethane On Nylon				95 Shore A Brown Ergonomic Polyurethane On Aluminium				85 Shore A Green Ergonomic Polyurethane On Aluminium				94 Shore A Brown Polyurethane On Cast Iron			
-30°C to +80°C				-20°C to +80°C				-20°C to +80°C				-20°C to +80°C				-20°C to +80°C			
Code	Load (kg)	Tread (mm)	Radius (mm)	Code	Load (kg)	Tread (mm)	Radius (mm)	Code	Load (kg)	Tread (mm)	Radius (mm)	Code	Load (kg)	Tread (mm)	Radius (mm)	Code	Load (kg)	Tread (mm)	Radius (mm)
BZKL100CI	400	50	-	-	-	-	-	-	-	-	-	-	-	-	-	-	-	-	-
BZKL100CIBJ	400	50	77	-	-	-	-	BZKL100RPTABJ	350	50	77	BZKL100SRPTABJ	350	50	77	BZKL100PTBJ	300	40	77
BZKL100CISWB	400	50	-	-	-	-	-	-	-	-	-	-	-	-	-	-	-	-	-
BZKL100CIBJSWB	400	50	100	-	-	-	-	BZKL100RPTABJSWB	350	50	100	BZKL100SRPTABJSWB	350	50	100	BZKL100PTBJSWB	300	40	100
BZKFL100CI	400	50	-	-	-	-	-	-	-	-	-	-	-	-	-	-	-	-	-
BZKFL100CIBJ	400	50	-	-	-	-	-	BZKFL100RPTABJ	350	50	-	BZKFL100SRPTABJ	350	50	-	BZKFL100PTBJ	300	40	-
BZKL125CI	550	50	-	-	-	-	-	-	-	-	-	-	-	-	-	-	-	-	-
-	-	-	95	BZKL125XPNB	400	45	95	-	-	-	95	-	-	-	95	-	-	-	95
BZKL125CIBJ	550	50	-	BZKL125XPNB	400	45	-	BZKL125RPTABJ	450	50	-	BZKL125SRPTABJ	450	50	-	BZKL125PTBJ	400	40	-
BZKL125CISWB	550	50	-	-	-	-	-	-	-	-	-	-	-	-	-	-	-	-	-
-	-	-	100	BZKL125XPNBJSWB	400	45	100	-	-	-	100	-	-	-	100	-	-	-	100
BZKL125CIBJSWB	550	50	-	BZKL125XPNBJSWB	400	45	-	BZKL125RPTABJSWB	450	50	-	BZKL125SRPTABJSWB	450	50	-	BZKL125PTBJSWB	400	40	-
BZKFL125CI	550	50	-	-	-	-	-	-	-	-	-	-	-	-	-	-	-	-	-
-	-	-	-	BZKFL125XPNB	400	45	-	-	-	-	-	-	-	-	-	-	-	-	-
BZKFL125CIBJ	550	50	-	BZKFL125XPNB	400	45	-	BZKFL125RPTABJ	450	50	-	BZKFL125SRPTABJ	450	50	-	BZKFL125PTBJ	400	40	-
BZKL150CI	900	50	-	-	-	-	-	-	-	-	-	-	-	-	-	-	-	-	-
-	-	-	115	BZKL150XPNB	600	50	115	-	-	-	115	-	-	-	115	-	-	-	115
BZKL150CIBJ	900	50	-	BZKL150XPNB	600	50	-	BZKL150RPTABJ	575	50	-	BZKL150SRPTABJ	575	50	-	BZKL150PTBJ	750	50	-
BZKL150CISWB	900	50	-	-	-	-	-	-	-	-	-	-	-	-	-	-	-	-	-
-	-	-	150	BZKL150XPNBJSWB	600	50	150	-	-	-	150	-	-	-	150	-	-	-	150
BZKL150CIBJSWB	900	50	-	BZKL150XPNBJSWB	600	50	-	BZKL150RPTABJSWB	575	50	-	BZKL150SRPTABJSWB	575	50	-	BZKL150PTBJSWB	750	50	-
BZKFL150CI	900	50	-	-	-	-	-	-	-	-	-	-	-	-	-	-	-	-	-
-	-	-	-	BZKFL150XPNB	600	50	-	-	-	-	-	-	-	-	-	-	-	-	-
BZKFL150CIBJ	900	50	-	BZKFL150XPNB	600	50	-	BZKFL150RPTABJ	575	50	-	BZKFL150SRPTABJ	575	50	-	BZKFL150PTBJ	750	50	-
BZKL200CI	900	50	-	-	-	-	-	-	-	-	-	-	-	-	-	-	-	-	-
-	-	-	152	BZKL200XPNB	700	57	152	-	-	-	152	-	-	-	152	-	-	-	152
BZKL200CIBJ	900	50	-	BZKL200XPNB	700	57	-	BZKL200RPTABJ	775	50	-	BZKL200SRPTABJ	775	50	-	BZKL200PTBJ	900	50	-
BZKL200CISWB	900	50	-	-	-	-	-	-	-	-	-	-	-	-	-	-	-	-	-
-	-	-	155	BZKL200XPNBJSWB	700	57	155	-	-	-	155	-	-	-	155	-	-	-	155
BZKL200CIBJSWB	900	50	-	BZKL200XPNBJSWB	700	57	-	BZKL200RPTABJSWB	775	50	-	BZKL200SRPTABJSWB	775	50	-	BZKL200PTBJSWB	900	50	-
BZKFL200CI	900	50	-	-	-	-	-	-	-	-	-	-	-	-	-	-	-	-	-
-	-	-	-	BZKFL200XPNB	700	57	-	-	-	-	-	-	-	-	-	-	-	-	-
BZKFL200CIBJ	900	50	-	BZKFL200XPNB	700	57	-	BZKFL200RPTABJ	775	50	-	BZKFL200SRPTABJ	775	50	-	BZKFL200PTBJ	900	50	-



BZKL-SPR SERIES

Fabricated Zinc Plated Steel
Single Ball Race Swivel Head

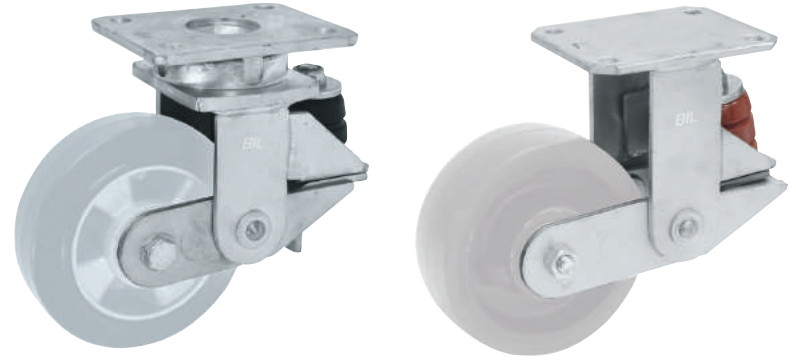


PLATE FIXING 200-600kg 150-200mm

Top Plate Fixing

Dia (mm)	Height Without Load (mm)	Height With Full Load (mm)	Plate (mm)	Centres (mm)	Fixing Bolt (mm)	Type	Bearing	Spring Rating	65 Shore A Black High Quality Elastic Rubber On Aluminium			55 Shore A Black High Quality Elastic Rubber On Aluminium			75 Shore A Blue Polyurethane On Aluminium			94 Shore A Brown Polyurethane On Cast Iron																
									Code	Load (kg)	Tread (mm)	Radius (mm)	Code	Load (kg)	Tread (mm)	Radius (mm)	Code	Load (kg)	Tread (mm)	Radius (mm)	Code	Load (kg)	Tread (mm)	Radius (mm)										
150	203	183	138 x 110	105 x 80/75	10	☺	☺	200kg	P 272	BZKL150ERBJSPR200	200	50	165	P 273	BZKL150SRERBJSPR200	200	50	165	P 283	BZKL150SPABJSPR200	200	50	165	P 286	BZKL150PTBJSPR200	200	50	165						
									600kg	BZKL150ERBJSPR	350	50	BZKL150SRERBJSPR	270	50	BZKL150SPABJSPR	500	50	BZKL150PTBJSPR	600	50													
								200kg	BZKFL150ERBJSPR200	200	50	BZKFL150SRERBJSPR200	200	50	BZKFL150SPABJSPR200	200	50	BZKFL150PTBJSPR200	200	50														
									600kg	BZKFL150ERBJSPR	350	50	BZKFL150SRERBJSPR	270	50	BZKFL150SPABJSPR	500	50	BZKFL150PTBJSPR	600	50													
						200	257	237	138 x 110	105 x 80/75	10	☺	☺	200kg	P 272	BZKL200ERBJSPR200	200	50	182	P 273	BZKL200SRERBJSPR200	200	50	182	P 283	BZKL200SPABJSPR200	200	50	182	P 286	BZKL200PTBJSPR200	200	50	182
															600kg	BZKL200ERBJSPR	500	50	BZKL200SRERBJSPR	380	50	BZKL200SPABJSPR	500	50	BZKL200PTBJSPR	600	50							
														200kg	BZKFL200ERBJSPR200	200	50	BZKFL200SRERBJSPR200	200	50	BZKFL200SPABJSPR200	200	50	BZKFL200PTBJSPR200	200	50								
															600kg	BZKFL200ERBJSPR	500	50	BZKFL200SRERBJSPR	380	50	BZKFL200SPABJSPR	500	50	BZKFL200PTBJSPR	600	50							

- Heavy duty castors with built-in suspension
- Unique elastomeric spring system reduces bounce under light loading
- Substantial noise reduction
- Reduction of wear and tear to floor surfaces
- Increase in wheel and equipment longevity
- Shock absorption protects the load
- Improved handling of equipment especially when cornering
- Ideal for use in the aerospace, glass and motor industries

BZKL LOW LEVEL SERIES

Fabricated Zinc Plated Steel
Single Ball Race Swivel Head



PLATE FIXING



500-700kg



70-85mm

Top Plate Fixing



Nylon



94 Shore A
Brown Polyurethane
On Cast Iron

P 261

-30°C to +80°C

P 289

-20°C to +80°C

Dia (mm)	Height (mm)	Plate (mm)	Centres (mm)	Fitting Bolt (mm)	Type	Bearing	Nylon				94 Shore A Brown Polyurethane On Cast Iron			
							Code	Load (kg)	Tread (mm)	Radius (mm)	Code	Load (kg)	Tread (mm)	Radius (mm)
70	125	138 x 110	105 x 80/75	10			-	-	-	-	BZKL70PTBJ	500	70	90
75	128	138 x 110	105 x 80/75	10			-	-	-	-	BZKL75PTBJ	500	75	93
82	131	138 x 110	105 x 80/75	10			BZKL82NYBJ	600	70	96	BZKL82PTBJ	700	70	96
85	133	138 x 110	105 x 80/75	10			BZKL85NYBJ	600	70	98	BZKL85PTBJ	700	70	98



BZK SERIES

Fabricated Zinc Plated Steel
Single Ball Race Swivel Head



PLATE FIXING



1500kg

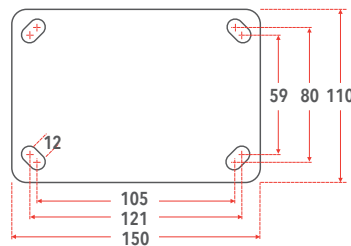


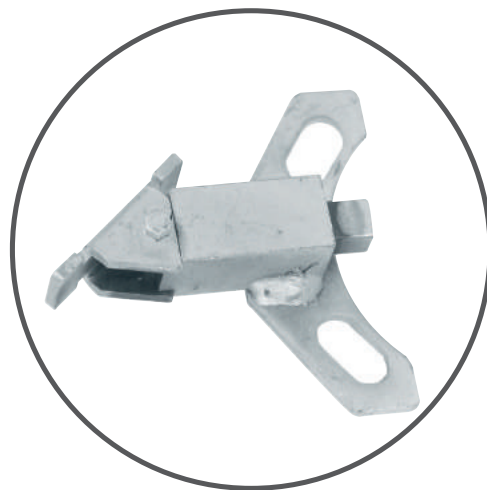
70-250mm

Bracket Only

Dia (mm)	Swivel Code	Swivel Brake Code	Fixed Code	Plate Fitting	Steel Gauge Plate (mm)	Steel Gauge Fork (mm)	Height To Axle Hole (mm)	Fork Width (mm)	Axle Bolt (mm)	Load Capacity (kg)
70 to 85	BZK80AS	-	BZKF80AS	A	7.5	6	92	80	12	1500
100	BZK100AS	BZK100ASSWB	BZKF100AS	A	7.5	6	100	65	12	1500
125	BZK125AS	BZK125ASSWB	BZKF125AS	A	7.5	6	115	65	12	1500
150	BZK150AS	BZK150ASSWB	BZKF150AS	A	7.5	6	125	65	12	1500
200	BZK200AS	BZK200ASSWB	BZKF200AS	A	7.5	6	150	65	12	1500
200	BZK200AS/90	-	-	A	7.5	6	150	90	12	1500
250	BZK250AS	BZK250ASSWB	BZKF250AS	A	7.5	6	175	65	12	1500
250	BZK250AS/90	-	-	A	7.5	6	175	90	12	1500

Type A





Directional Lock Available Add DL To Code



Footguards Available Add FG To Code

- Single piece forged alloy steel top plate and fork base
- Precision CNC-machined raceways
- Induction-hardening of raceways ensures uniform depth of hardness
- Totally sealed swivel head with grease nipple
- 6mm thick legs cylindrically - formed legs - robotically welded inside and outside

HIGH TEMPERATURE

BIL Offers 150mm and 200mm
castors for 200°C temperatures
- refer to pages 160 -161



BZK SERIES

Fabricated Zinc Plated Steel
Single Ball Race Swivel Head



PLATE FIXING 210-1400kg 100-250mm

Plate Fitting

Dia (mm)	Height (mm)	Plate (mm)	Centres (mm)	Fixing Bolt (mm)	Type	Bearing	Nylon			65 Shore A Black High Quality Elastic Rubber On Aluminium			75 Shore A Black Elastic Rubber On Cast Iron			Cast Iron						
							Code	Load (kg)	Tread (mm)	Radius (mm)	Code	Load (kg)	Tread (mm)	Radius (mm)	Code	Load (kg)	Tread (mm)	Radius (mm)	Code	Load (kg)	Tread (mm)	Radius (mm)
100	150	150 x 110	105/121 x 80/59	12	☺	☐	BZK100NY	400	35	93	-	-	-	-	-	-	BZK100CI	400	50	93		
							BZK100NYBJ	650	40	-	BZK100ERBJ	250	50	93	BZK100CRBJ	210	50	93	BZK100CIBJ	400	50	93
							BZK100NYSWB	400	35	130	-	-	-	-	-	-	-	-	BZK100CI	400	50	130
							BZK100NYBSWB	650	40	-	BZK100ERBJSWB	250	50	130	BZK100CRBJSWB	210	50	130	BZK100CIBJSWB	400	50	130
125	177	150 x 110	105/121 x 80/59	12	☺	☐	BZK125NY	-	-	-	-	-	-	-	-	-	BZK125CI	550	50	-		
							BZK125NYBJ	750	45	115	-	-	-	115	-	-	-	-	-	115		
							BZK125NYSWB	-	-	-	BZK125ERBJ	270	50	-	BZK125CRBJ	300	50	-	BZK125CIBJ	550	50	-
							BZK125NYBSWB	750	45	130	-	-	-	130	-	-	-	130	BZK125CISWB	550	50	130
150	200	150 x 110	105/121 x 80/59	12	☺	☐	BZK150NY	800	-	-	-	-	-	-	-	-	BZK150CI	910	50	-		
							BZK150NYBJ	1000	45	130	BZK150ERBJ	350	50	130	BZK150CRBJ	350	50	130	BZK150CIBJ	910	50	130
							BZK150NYSWB	800	-	-	-	-	-	-	-	-	-	-	BZK150CISWB	910	50	-
							BZK150NYBSWB	800	45	140	BZK150ERBJSWB	350	50	140	BZK150CRBJSWB	350	50	140	BZK150CIBJSWB	910	50	140
200	250	150 x 110	105/121 x 80/59	12	☺	☐	BZK200NY	1000	-	-	-	-	-	-	-	-	BZK200CI	1000	50	-		
							BZK200NYBJ	1000	50	165	BZK200ERBJ	500	50	165	BZK200CRBJ	450	50	165	BZK200CIBJ	1000	50	165
							BZK200NYSWB	1000	-	-	-	-	-	-	BZK200CRSWB	450	50	-	BZK200CISWB	1000	50	-
							BZK200NYBSWB	1000	50	165	BZK200ERBJSWB	500	50	165	BZK200CRBJSWB	450	50	165	BZK200CIBJSWB	1000	50	165
250	300	150 x 110	105/121 x 80/59	12	☺	☐	BZK250NY	930	50	-	-	-	-	-	-	-	-	-	-			
							BZK250NYBJ	1200	50	197	BZK250ERBJ	650	50	197	BZK250CRBJ	500	50	197	BZK250CIBJ	1250	50	197
							BZK250NYSWB	930	50	-	-	-	-	-	-	-	-	-	-	-	-	
							BZK250NYBSWB	1200	50	197	BZK250ERBJSWB	650	50	197	BZK250CRBJSWB	500	50	197	BZK250CIBJSWB	1250	50	197