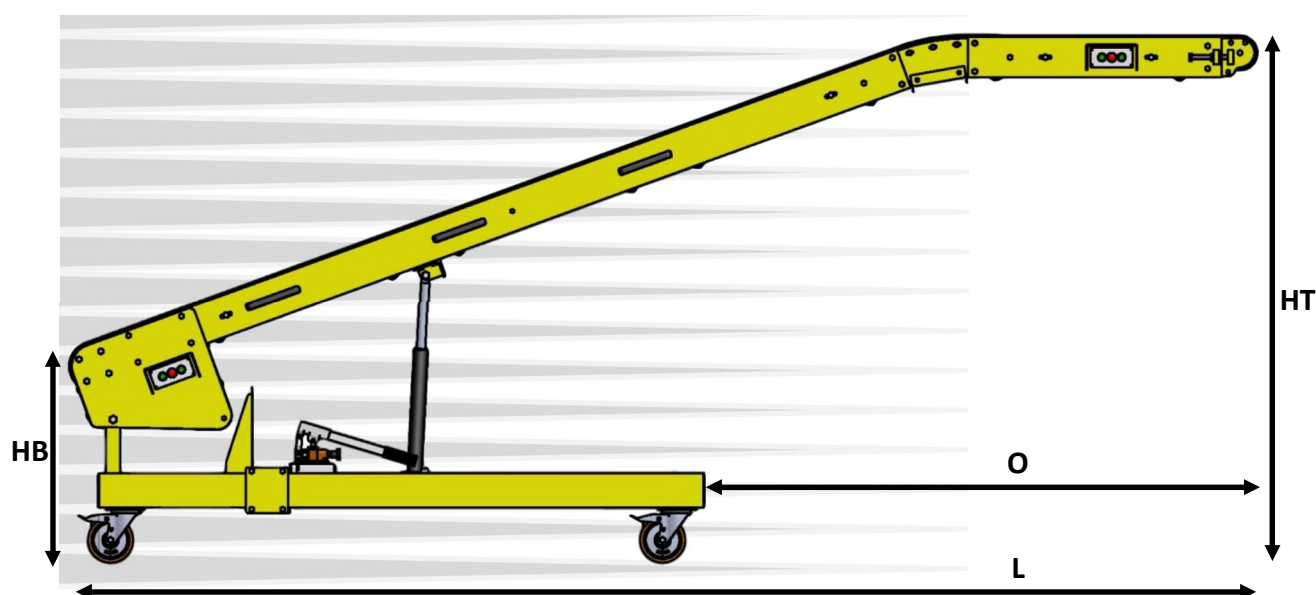


**Specification**

Mobile, single boom belt conveyor for loading and unloading vehicles. Powered by a 0.37kW 230V single phase geared motor and with 165mm diameter drive roller the Econoloader will handle uniformly distributed loads of up to 50kg per metre with a total maximum load of 125kg. The Econoloader has a reversible grip top PVC belt 600mm wide and boom height is easily adjusted using a hydraulic hand pump. The swan neck nose over is horizontal when the incline bed is at 20 degrees (see below for details) and, for convenience, Stop / start / reverse controls are positioned at the top and bottom of the conveyor.

**Prices**

Econoloader	£6,947
230 Volt Variable Speed (Inverter) Drive — Speed 8-24m/min	£198
110 Volt Variable Speed (Inverter) Drive — Speed 8-24m/min	£POA
Braked Motor (only when variable speed fitted)	£258



Incline Angle	Top Height (HT)	Bottom Height (HB)	Overhang (O)	Length (L)
7.8° (Lowest)	990mm	788mm	2,142mm	4,350mm
15°	1,510mm	780mm	2,056mm	4,285mm
20°	1,860mm	773mm	1,958mm	4,205mm
25°	2,200mm	764mm	1,830mm	4,092mm
29° (Highest)	2,480mm	755mm	1,700mm	3,975mm