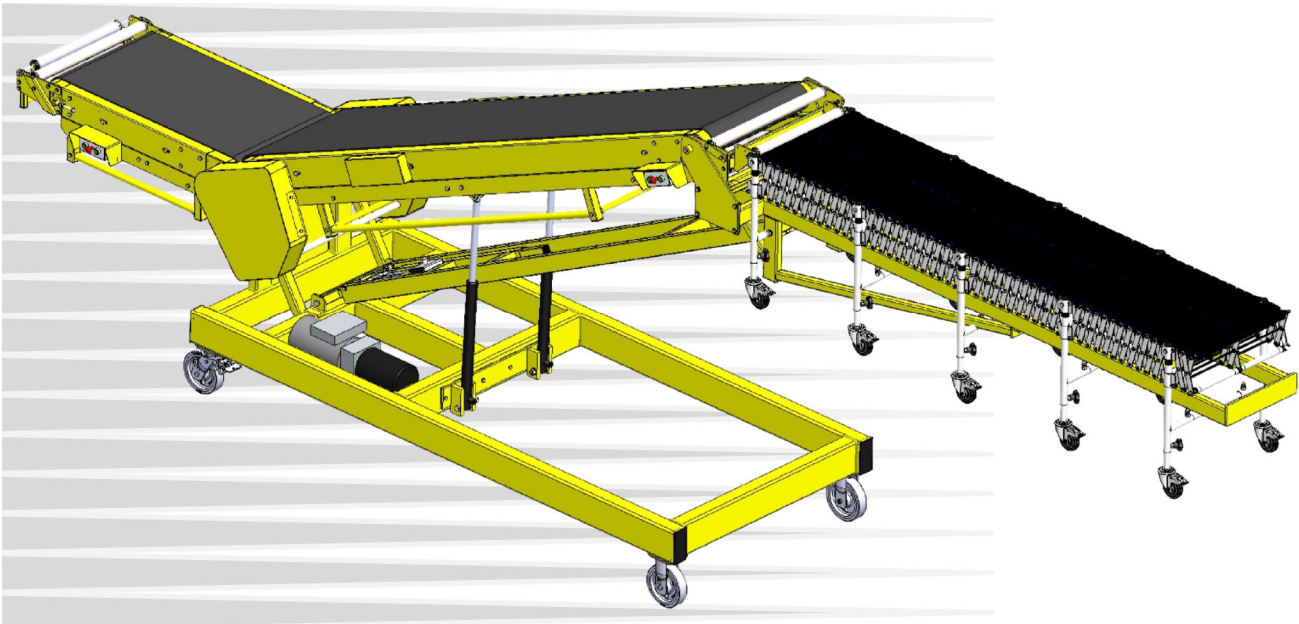


Price List

Heavy Duty Vehicle Loader



the versatile conveyor company

Heavy Duty Vehicle Loader Specification

Mobile powered conveyor for loading and unloading trailers and shipping containers suitable for loads over 200mm long (375mm where a flexible tongue is fitted). Conveyor rated at 50kg/m uniformly distributed load with a total maximum load of 125kg. Heavy gauge mild steel chassis with pressed mild steel slider beds, powder coated finish yellow RAL 1003. Black PVC grip faced belt. Main boom adjustment hand pumped or electric hydraulic adjustment. Infeed boom height and tongue levelling (where fitted) screw jack adjusted. 200mm diameter castors, 2 fixed and 2 swivel braked. Supply Voltage 230 Volt, 16 Amp single phase 50Hz. Drive 0.37kW single phase non-braked geared motor, belt speed 20 m/min. Stop, forward and reverse on controls on main and infeed booms and isolator on control panel.

Model	Main	Infeed	Pivot Height	Infeed Boom	Main Boom	600mm
HDVL3	3,000mm	1,000mm	1,035mm	730—1,100mm	1,320—2,400mm	£9,385
HDVL4	3,000mm	1,500mm	1,035mm	550—1,220mm	1,320—2,400mm	£9,558

Heavy Duty Expandaveyor Tongue

Expandaveyor flexible expanding conveyor with PVC rollers or skatewheels (load area bright zinc plated mild steel), all metal parts bright zinc plated and complete with 125mm swivel braked castors and additional bracing to stands. Flexible conveyor mounted on a screw jack adjustable self levelling tongue, height

Reference	Extended Length	Penetration	Roller/ Wheel Diameter	600mm Wide
ETW-HD-9.5	9.5m	10.0m	48mm Skatewheel	£3,665
ETW-HD-11.0	11.0m	11.5m	48mm Skatewheel	£3,977
ETR-HD-8.0	8.0m	8.5m	40mm Roller	£3,630
ETR-HD-9.5	9.5m	10.0m	40mm Roller	£3,966

Powered Expandaveyor Tongue

40mm diameter bright zinc plated mild steel rollers with heavy duty precision bearing rollers on 127mm pitch. Aluminium alloy lattice construction. Adjustable height from 800 to 1100mm. Heavy duty swivel braked castors 150mm diameter. Continuous duty multiple drive motors with variable speed control. Vehicle loaders with powered Expandaveyor tongues have stop / start /reverse controls on the infeed boom of the belt conveyor and on the end of the powered Expandaveyor tongue.

Reference	Extended Length	Penetration	Roller Diameter	600mm Wide
ET-PWR-7.0	7.0m	7.5m	38mm	£11,734
ET-PWR-8.5	8.5m	9.0m	38mm	£12,683

Options

Additional Start / Stop / Reverse Controls on Infeed	£224
Ancillary Power Socket	£108
Electric Hydraulic Control for Main Boom	£1,278
230 Volt Variable Speed (Inverter) Drive — Speed 8-24m/min	£198
Braked Motor (only when variable speed fitted)	£258