

# RANGES

## JAB

∅ 80-125mm     120-200kg

Pages | 228 - 229



## JAZ

∅ 80-200mm     120-250kg

Pages | 230 - 231



## JAZHS

∅ 100-200mm     210-600kg

Pages | 232 - 233



## JAZXXH

∅ 150-200mm     350-1000kg


   

Pages | 234 - 235



## BZGC

∅ 100mm     75kg



Pages | 236 - 237





# JAB SERIES

Fabricated Steel Castor Jack,  
Zinc Plated And Pressed Steel Castor Construction  
Maximum Lift 160mm



120-200kg



80-125mm

Dia (mm)	Height (mm)	Head Dia (mm)	Fixing Bolt (mm)	Type	Bearing	Nylon			65 Shore A Blue High Quality Elastic Rubber On Nylon			65 Shore A Black High Quality Elastic Rubber On Aluminium			92 Shore A Red Polyurethane On Nylon			94 Shore A Brown Polyurethane On Cast Iron								
						Code	Load (kg)	Tread (mm)	Radius (mm)	Code	Load (kg)	Tread (mm)	Radius (mm)	Code	Load (kg)	Tread (mm)	Radius (mm)	Code	Load (kg)	Tread (mm)	Radius (mm)	Code	Load (kg)	Tread (mm)	Radius (mm)	
80	110	76	13	☐	☐	JAB80NY	-	-	-	JAB80SRN	-	-	-	JAB80NP	-	-	-	JAB80PTBJ	200	36	-					
						JAB80NYB	200	35	78	JAB80SRNB	120	35	78	JAB80NPB	200	33	78	-	-	-	-	-	-	78		
						-	-	-	-	JAB80SRNB	120	35	78	JAB80NPB	200	33	78	-	-	-	-	-	-	-	-	
				☐	☐	JAB80NYSWB	-	-	-	JAB80SRNSWB	-	-	-	JAB80NPSWB	-	-	-	JAB80PTBJSWB	200	36	-	-	-	-		
						JAB80NYBSWB	200	35	125	JAB80SRNBSWB	120	35	125	JAB80NPBSWB	200	33	125	-	-	-	-	-	-	-	125	
						-	-	-	-	JAB80SRNBJSWB	120	35	125	JAB80NPBSWB	200	33	125	-	-	-	-	-	-	-	-	125
100	128	76	13	☐	☐	JAB100NY	-	-	-	JAB100SRN	-	-	-	JAB100NP	-	-	-	JAB100PTBJ	200	40	-	-				
						JAB100NYB	200	32	90	JAB100SRNB	200	36	90	JAB100NPB	200	33	90	-	-	-	-	-	-	-	90	
						JAB100LNYBJ	36	-	-	JAB100SRNB	200	36	90	JAB100NPB	200	33	90	-	-	-	-	-	-	-	-	90
				☐	☐	JAB100NYSWB	-	-	-	JAB100SRNSWB	-	-	-	JAB100NPSWB	-	-	-	JAB100PTBJSWB	200	40	-	-	-	-		
						JAB100NYBSWB	200	32	120	JAB100SRNBSWB	200	36	120	JAB100NPBSWB	200	33	120	-	-	-	-	-	-	-	-	120
						JAB100LNYBJSWB	36	-	-	JAB100SRNBJSWB	200	36	120	JAB100NPBSWB	200	33	120	-	-	-	-	-	-	-	-	-
125	155	76	13	☐	☐	JAB125NY	-	-	-	JAB125SRN	-	-	-	JAB125NP	-	-	-	JAB125PTBJ	200	40	-	-				
						JAB125NYB	200	35	104	JAB125SRNB	200	36	104	JAB125NPB	200	35	104	-	-	-	-	-	-	-	104	
						JAB125LNYBJ	37	-	-	JAB125SRNB	200	36	104	JAB125NPB	200	35	104	-	-	-	-	-	-	-	-	104
				☐	☐	JAB125NYSWB	-	-	-	JAB125SRNSWB	-	-	-	JAB125NPSWB	-	-	-	JAB125PTBJSWB	200	40	-	-	-	-		
						JAB125NYBSWB	200	35	125	JAB125SRNBSWB	200	36	125	JAB125NPBSWB	200	35	125	-	-	-	-	-	-	-	-	125
						JAB125LNYBJSWB	37	-	-	JAB125SRNBJSWB	200	36	125	JAB125NPBSWB	200	35	125	-	-	-	-	-	-	-	-	125

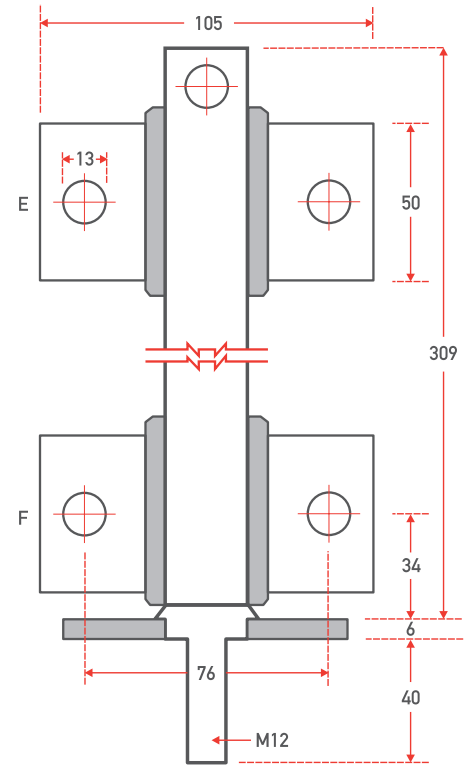
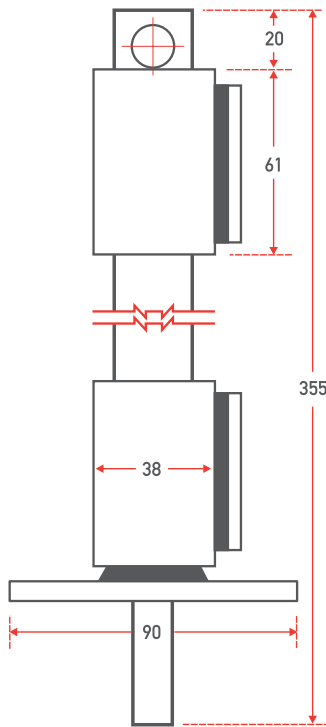
## LOAD RATING

Jacking castors are rated on a different principle to other castors. They lift the load off the floor and therefore each castor is liable to carry half the total load. The minimum castor capacity required is obtained by taking...

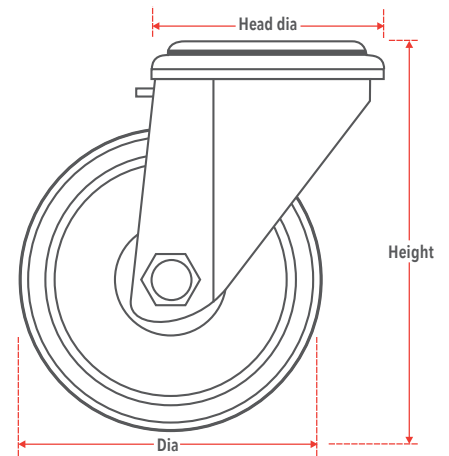
$$\frac{\text{underladen unit weight} + \text{maximum load}}{2}$$

2





Lifting range is determined by mounting position of brackets E and F.



# CASTOR & WHEEL MANUFACTURERS

## JAZ SERIES

Fabricated Steel Castor Jack,  
Zinc Plated And Pressed Steel Castor Construction  
Maximum Lift 75mm

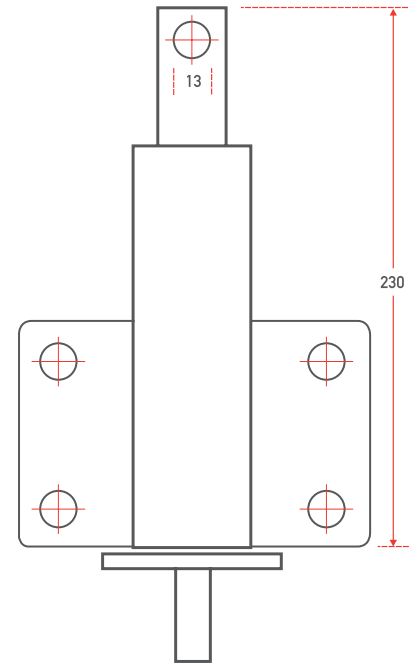
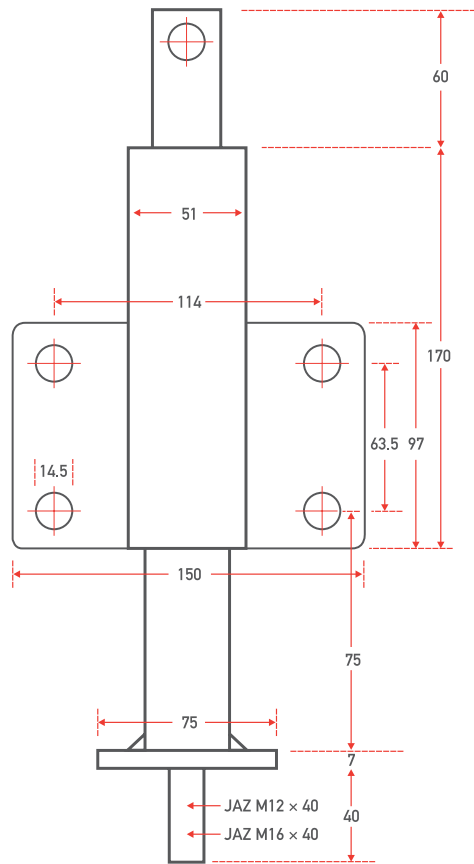
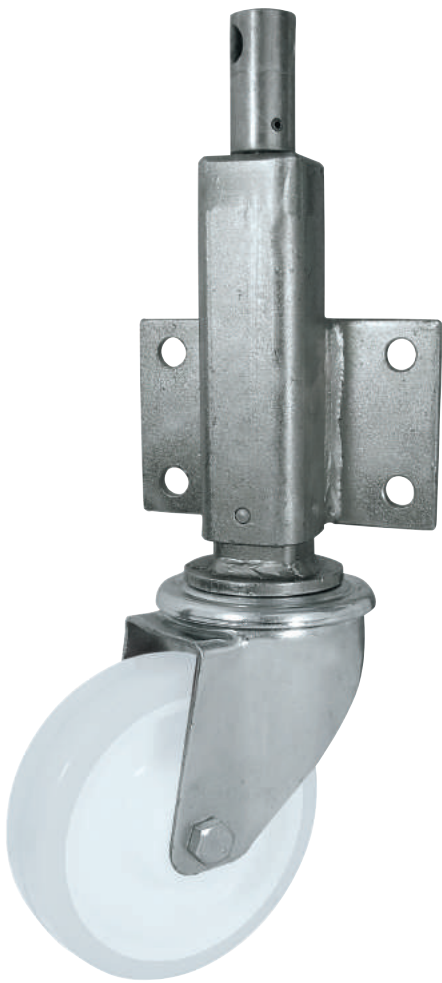


120-250kg



80-200mm

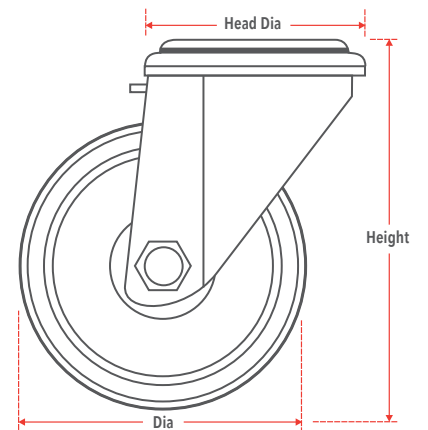
Dia (mm)	Height (mm)	Head Dia (mm)	Fixing Bolt (mm)	Type	Bearing	Nylon			65 Shore A Blue High Quality Elastic Rubber On Nylon			65 Shore A Black High Quality Elastic Rubber On Aluminium			92 Shore A Red Polyurethane On Nylon			94 Shore A Brown Polyurethane On Cast Iron							
						Code	Load (kg)	Tread (mm)	Radius (mm)	Code	Load (kg)	Tread (mm)	Radius (mm)	Code	Load (kg)	Tread (mm)	Radius (mm)	Code	Load (kg)	Tread (mm)	Radius (mm)	Code	Load (kg)	Tread (mm)	Radius (mm)
80	110	76	14.5	SWIVEL	PLAIN	JAZ80NY	200	35	-	JAZ80SRN	-	-	-	JAZ80NP	200	33	-	-	-	-	-	-	-		
						JAZ80NYB	-	-	78	JAZ80SRNB	120	35	78	JAZ80NPB	-	-	78	-	-	-	78				
						-	-	-	JAZ80SRNB	-	-	-	JAZ80ERBJ	180	40	-	-	-	JAZ80PTBJ	200	36	-			
					ROLLER	JAZ80NYSWB	200	35	-	JAZ80SRNSWB	-	-	-	JAZ80NP	200	33	-	-	-	-	-	-	-	-	-
						JAZ80NYSWB	-	-	125	JAZ80SRNBSWB	120	35	125	JAZ80NPB	-	-	125	-	-	-	125	-	-	-	125
						-	-	-	JAZ80SRNBJSWB	-	-	-	JAZ80ERBJ	180	40	-	-	-	JAZ80PTBJ	200	36	-			
				FIXED	JAZ100NY	-	32	-	-	-	-	-	JAZ100NP	-	-	33	-	-	-	-	-	-	-	-	
					JAZ100NYB	200	32	90	JAZ100SRNB	-	-	90	JAZ100NPB	200	33	90	-	-	-	90	-	-	-	90	
					JAZ100LNYBJ	-	36	-	JAZ100SRNB	200	36	-	JAZ100NPB	-	-	-	JAZ100PTBJ	200	40	-	-	-	-		
					ROLLER	JAZ100NYSWB	-	32	-	-	-	-	-	JAZ100NP	-	-	33	-	-	-	-	-	-	-	
						JAZ100NYSWB	200	32	120	JAZ100SRNBSWB	200	36	120	JAZ100NPB	200	33	120	-	-	-	120	-	-	-	120
						JAZ100LNYBJSWB	-	36	-	JAZ100SRNBJSWB	-	-	-	JAZ100NPB	-	-	-	JAZ100PTBJ	200	40	-	-	-		
125	155	76	14.5	SWIVEL	PLAIN	JAZ125NY	-	35	-	-	-	-	JAZ125NP	-	-	35	-	-	-	-	-				
						JAZ125NYB	200	35	104	JAZ125SRNB	-	-	104	JAZ125NPB	200	35	104	-	-	-	104				
						JAZ125LNYBJ	-	37	-	JAZ125SRNB	200	36	-	JAZ125NPB	-	-	-	JAZ125PTBJ	200	40	-				
					ROLLER	JAZ125NYSWB	-	35	-	-	-	-	-	JAZ125NP	-	-	35	-	-	-	-	-	-		
						JAZ125NYSWB	200	35	125	JAZ125SRNBSWB	200	36	125	JAZ125NPB	200	35	125	-	-	-	125	-	-	-	125
						JAZ125LNYBJSWB	-	37	-	JAZ125SRNBJSWB	-	-	-	JAZ125NPB	-	-	-	JAZ125PTBJ	200	40	-				
				FIXED	JAZ150NY	-	-	-	-	-	-	-	JAZ150NP	-	-	-	-	-	-	-	-	-			
					JAZ150NYB	250	45	128	JAZ150SRNB	250	40	128	JAZ150NPB	250	40	128	-	-	-	128	-	-	-	128	
					JAZ150LNYBJ	-	-	-	JAZ150SRNB	-	-	-	JAZ150NPB	-	-	-	JAZ150PTBJ	250	40	-	-	-			
					ROLLER	JAZ150NYSWB	-	-	-	-	-	-	-	JAZ150NP	-	-	-	-	-	-	-	-	-		
						JAZ150NYSWB	250	45	167	JAZ150SRNBSWB	250	40	167	JAZ150NPB	250	40	167	-	-	-	167	-	-	-	167
						JAZ150LNYBJSWB	-	-	-	JAZ150SRNBJSWB	-	-	-	JAZ150NPB	-	-	-	JAZ150PTBJ	250	40	-				
200	238	114	14.5	SWIVEL	PLAIN	JAZ200NY	-	-	-	-	-	-	JAZ200NP	-	-	-	-	-	-	-					
						JAZ200NYB	250	50	153h	JAZ200SRNB	-	-	153	JAZ200NPB	250	50	153	-	-	-	153				
						JAZ200LNYBJ	-	-	-	JAZ200SRNB	250	50	-	JAZ200NPB	-	-	-	JAZ200PTBJ	250	50	-				
				ROLLER	JAZ200NYSWB	-	-	-	-	-	-	-	JAZ200NP	-	-	-	-	-	-	-	-				
					JAZ200NYSWB	250	50	167	JAZ200SRNBSWB	250	50	167	JAZ200NPB	250	50	167	-	-	-	167	-	-	-	167	
					JAZ200LNYBJSWB	-	-	-	JAZ200SRNBJSWB	-	-	-	JAZ200NPB	-	-	-	JAZ200PTBJ	250	50	-					



## LOAD RATING

Jacking castors are rated on a different principle to other castors. They lift the load off the floor and therefore each castor is liable to carry half the total load. The minimum castor capacity required is obtained by taking...

$$\frac{\text{underladen unit weight} + \text{maximum load}}{2}$$



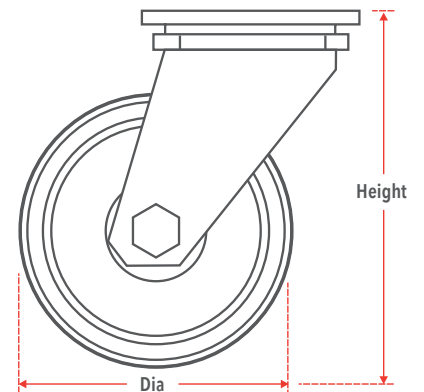
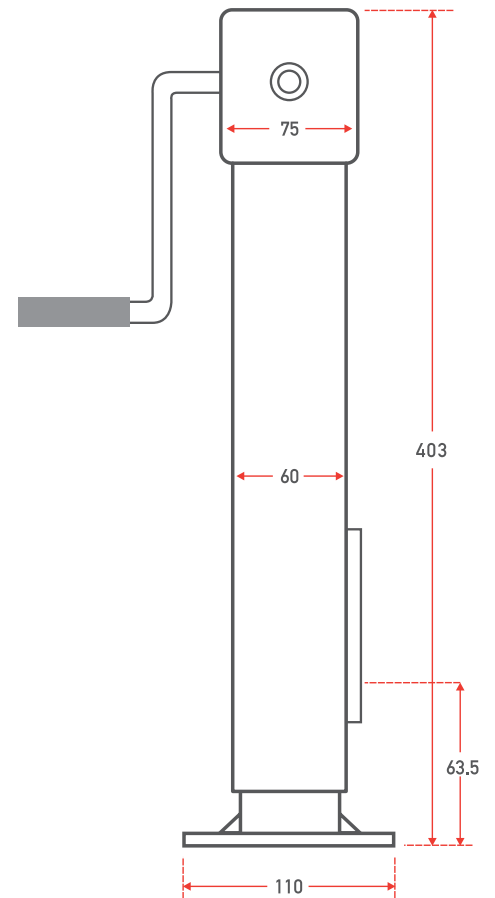
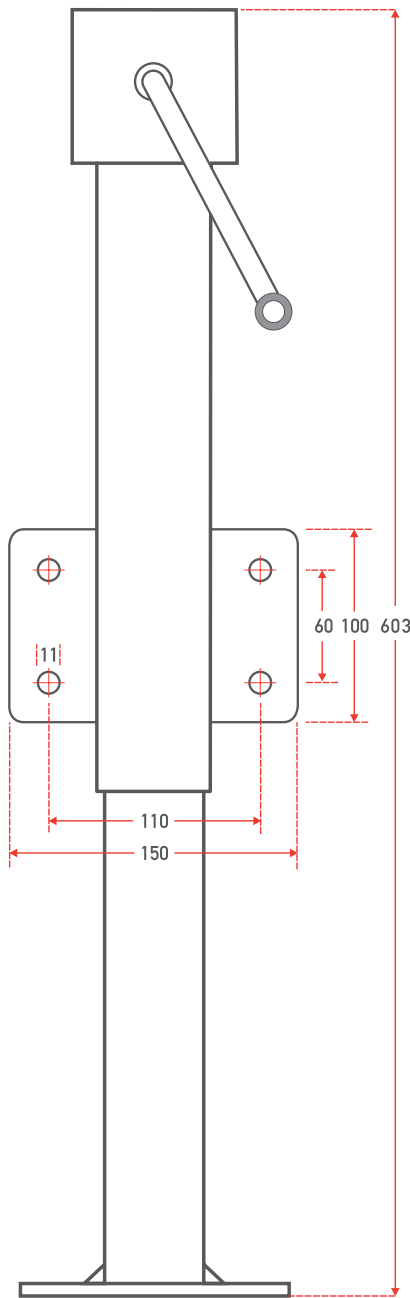




### LOAD RATING

Jacking castors are rated on a different principle to other castors. They lift the load off the floor and therefore each castor is liable to carry half the total load. The minimum castor capacity required is obtained by taking...

$$\frac{\text{underladen unit weight} + \text{maximum load}}{2}$$



# JAZXXH SERIES

Fabricated Steel Jack And Castor  
Maximum Lift 75mm



350-1000kg



150-200mm

Dia (mm)	Height Lowered (mm)	Fixing Bolt (mm)	Type	Bearing	Nylon			65 Shore A Black High Quality Elastic Rubber On Aluminium			75 Shore A Black Elastic Rubber On Cast Iron			94 Shore A Brown Polyurethane On Cast Iron												
					Code	Load (kg)	Tread (mm)	Radius (mm)	Code	Load (kg)	Tread (mm)	Radius (mm)	Code	Load (kg)	Tread (mm)	Radius (mm)	Code	Load (kg)	Tread (mm)	Radius (mm)						
150	570	13	☞	☐	JAZXXHK150NY	800	-	-	P 256	-	-	-	P 272	-	-	-	P 274	-	-	-	P 286	-	-	-		
				☐	JAZXXHK150NYB	800	45	129	-	-	-	-	-	-	-	-	-	-	-	-	-	-	-	-	-	-
				☐	JAZXXHK150NYBJ	1000	-	-	JAZXXHK150ERBJ	350	50	-	JAZXXHK150CRBJ	350	50	129	JAZXXHK150PTBJ	750	50	129	-	-	-	-	-	-
200	621	13	☞	☐	JAZXXHK200NY	-	-	-	-	-	-	-	-	-	-	-	-	-	-	-	-	-	-	-		
				☐	JAZXXHK200NYB	1000	50	160	-	-	-	-	-	-	-	-	-	-	-	-	-	-	-	-	-	-
				☐	JAZXXHK200NYBJ	-	-	-	JAZXXHK200ERBJ	500	50	-	JAZXXHK200CRBJ	600	60	160	JAZXXHK200PTBJ	1000	50	160	-	-	-	-	-	-

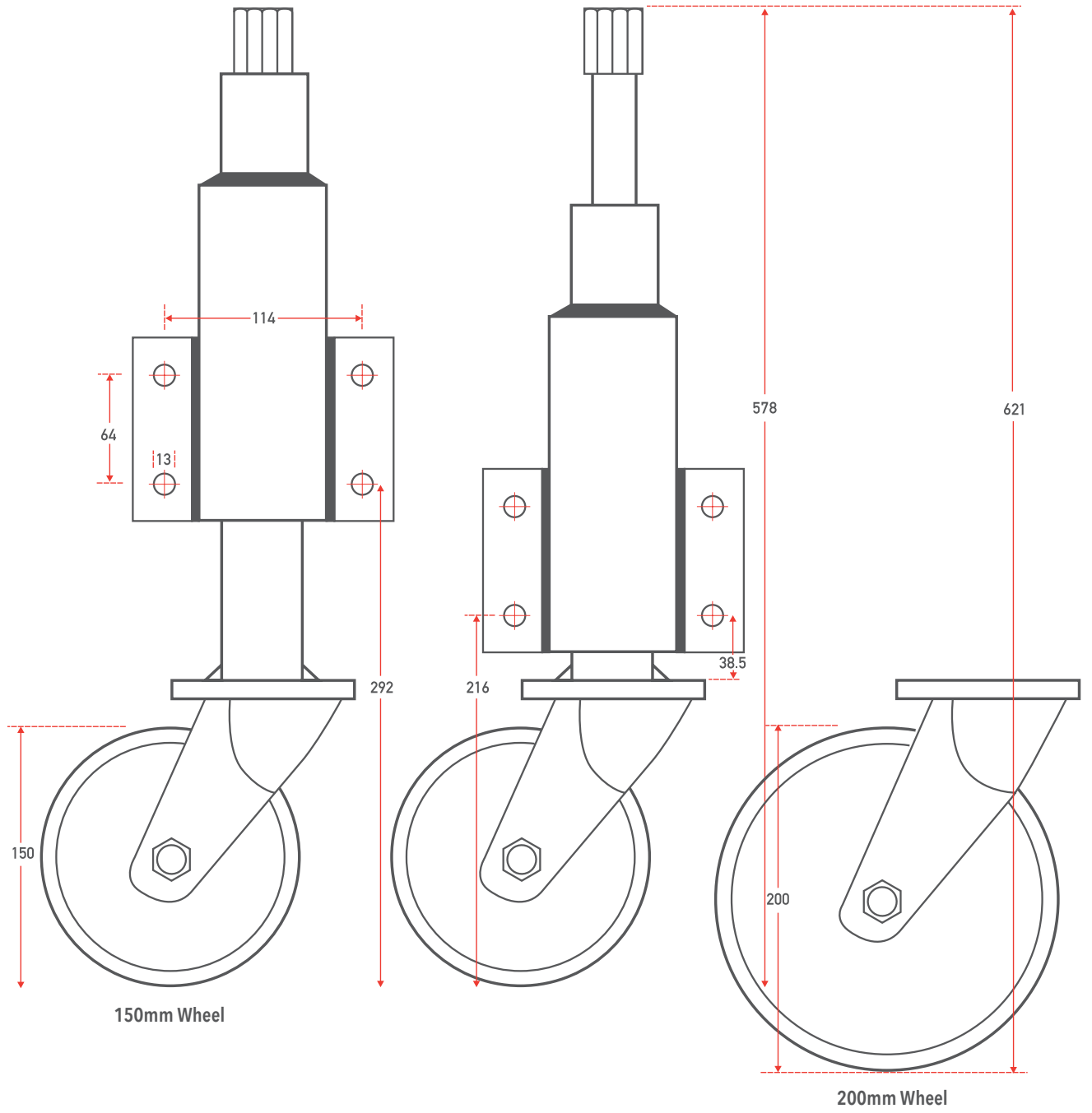
## LOAD RATING

Jacking castors are rated on a different principle to other castors. They lift the load off the floor and therefore each castor is liable to carry half the total load. The minimum castor capacity required is obtained by taking...

$$\frac{\text{underladen unit weight} + \text{maximum load}}{2}$$

2





150mm Wheel

200mm Wheel



# BZGC SERIES

Specially Designed Castor Unit To Help Support The Ends  
Of Wide Gates.

Fabricated Steel With A Black Finish



75kg



100mm



75 Shore A  
Black Elastic Rubber  
On Cast Iron

-20°C to +60°C

Dia (mm)	Fixing Bolt (mm)	Type	Bearing	Code	Load (kg)	Tread (mm)	Radius
100	8			BZGCS100CRBJ	75	40	90
100	8			BZGCF100CRBJ	75	40	-



