

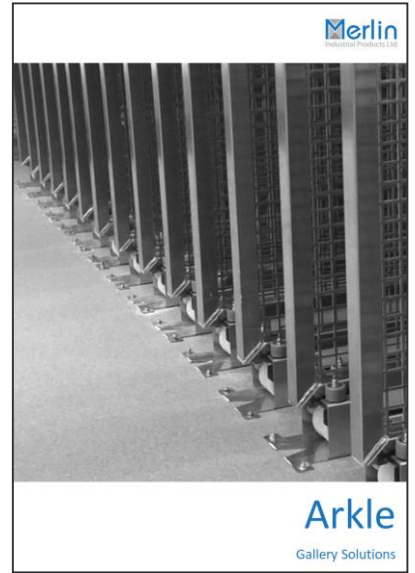


Munro

Tall Display & Storage

Available from Merlin Industrial Products - 01752 690622 - sales@mipl.uk

EXPLORE OUR OTHER RANGES FOR MUSEUM, ARCHIVE AND GALLERY STORAGE



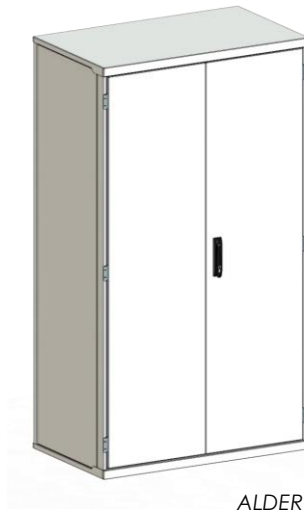
CHARGE RANGE

See what options are available for our brand new 2018 Charge Cabinets, and how we can tailor our design to meet your requirements. Please call us for further details.



PRODUCT FEATURES

- High-quality steel construction
- Fully locking with black swinghandle
- Three adjustable shelves as standard
- Choice of three unit heights and two unit widths and depths
- Available with a choice of Glass AVON or Solid ALDER doors
- Units can be ordered to any RAL colour finish
- Optional package for LED lighting
- Optional package for airtight seals to panels and doors
- Suitable for use on mobile bases



Munro cabinets can also be tailored to meet individual briefs:

- Bespoke unit sizes
- Special storage requirements
- Additional product protection and display features

Popular RAL colour choices include:



PLEASE CONTACT US TO MAKE AN ENQUIRY OR TO DISCUSS YOUR CUSTOM MUNRO BUILD.

1800H

AVON – GLASS DOORS

WIDTH	DEPTH	HEIGHT	PART NO.
1000	500	1800	MUN01-105018G
1000	600	1800	MUN01-106018G
1200	500	1800	MUN01-125018G
1200	600	1800	MUN01-126018G

ALDER – SOLID DOORS

WIDTH	DEPTH	HEIGHT	PART NO.
1000	500	1800	MUN01-105018S
1000	600	1800	MUN01-106018S
1200	500	1800	MUN01-125018S
1200	600	1800	MUN01-126018S

OPTIONS AND ACCESORIES

LED LIGHTING

MUN01-LED

Unit to be fitted with two Cool White (5000k) LED light bars. Unit will require 240V mains power after this upgrade.

AIRTIGHT

MUN01-AIR

Airtight seals to be fitted around the door frame of the unit. Panels will be bonded together to prevent air movement.

ADDITIONAL SHELVES

MUN01-ADJ

Additional shelves and adjustable shelf mounts for Munro cabinets.

2000H

AVON – GLASS DOORS

WIDTH	DEPTH	HEIGHT	PART NO.
1000	500	2000	MUN01-105020G
1000	600	2000	MUN01-106020G
1200	500	2000	MUN01-125020G
1200	600	2000	MUN01-126020G

ALDER – SOLID DOORS

WIDTH	DEPTH	HEIGHT	PART NO.
1000	500	2000	MUN01-105020S
1000	600	2000	MUN01-106020S
1200	500	2000	MUN01-125020S
1200	600	2000	MUN01-126020S

OPTIONS AND ACCESORIES

LED LIGHTING

MUN01-LED

Unit to be fitted with two Cool White (5000k) LED light bars. Unit will require 240V mains power after this upgrade.

AIRTIGHT

MUN01-AIR

Airtight seals to be fitted around the door frame of the unit. Panels will be bonded together to prevent air movement.

ADDITIONAL SHELVES

MUN01-ADJ

Additional shelves and adjustable shelf mounts for Munro cabinets.

2200H

AVON – GLASS DOORS

WIDTH	DEPTH	HEIGHT	PART NO.
1000	500	2200	MUN01-105022G
1000	600	2200	MUN01-106022G
1200	500	2200	MUN01-125022G
1200	600	2200	MUN01-126022G

ALDER – SOLID DOORS

WIDTH	DEPTH	HEIGHT	PART NO.
1000	500	2200	MUN01-105022S
1000	600	2200	MUN01-106022S
1200	500	2200	MUN01-125022S
1200	600	2200	MUN01-126022S

OPTIONS AND ACCESORIES

LED LIGHTING

MUN01-LED

Unit to be fitted with two Cool White (5000k) LED light bars. Unit will require 240V mains power after this upgrade.

AIRTIGHT

MUN01-AIR

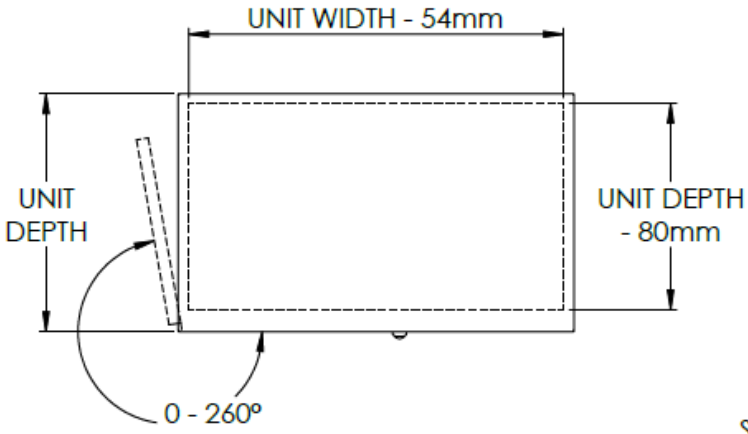
Airtight seals to be fitted around the door frame of the unit. Panels will be bonded together to prevent air movement.

ADDITIONAL SHELVES

MUN01-ADJ

Additional shelves and adjustable shelf mounts for Munro cabinets.

MUNRO DETAILS AND PLANNING DIMENSIONS



SHELVES CAN BE SPECED AT 33mm INTERVALS

