

MILENIUM 50

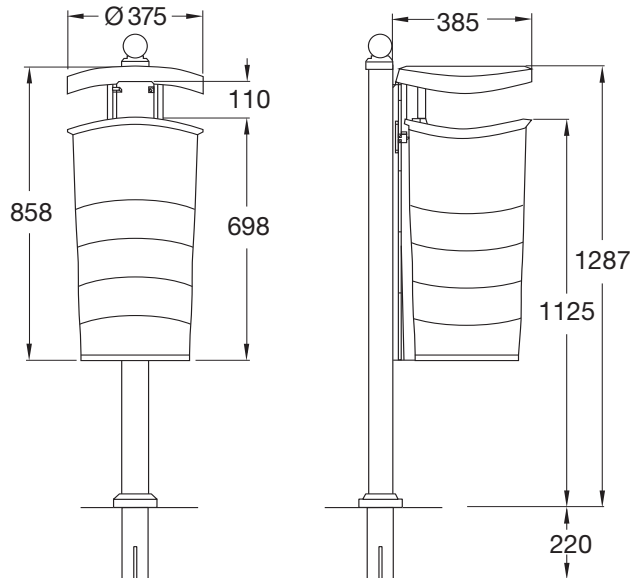


The Milenium range of litter bins is available in a matching range of shapes and sizes, in metal or polyethylene and with a versatile, innovative design. They are readily adaptable to any urban environment, such as historical settings, gardens and walkways, business districts and shopping centres.

Milenium is available in a variety of sizes. The neat appearance of the 50 litre bin makes it perfect for any urban environment, while the 80 litre version is suitable for open spaces, such as parks, walkways and shopping centres and the 130 litre version's large capacity makes it ideal for use in urban areas of high pedestrianisation.

Contentur designs and manufactures Milenium litter bins to procedures based on ISO 9001, and in compliance with our Environmental Management System ISO 14001.

The Contentur Group guarantees the quality of all its products and installations, and on request can also offer clients end-to-end product maintenance, including labour and materials. For more information, please contact our Technical Sales network.



TECHNICAL SPECIFICATIONS

NOMINAL CAPACITY	50 litres	MAXIMUM DEPTH	375 mm
TOTAL HEIGHT	858 mm	TOTAL WEIGHT WITH SUPPORT	8.5 kg
MAXIMUM WIDTH	375 mm		

GENERAL SPECIFICATIONS

■ Injection moulded in solid-coloured high-density polyethylene stabilised against the action of both UV radiation and water and resistant to the effects of weather, detergents, fungi and bacteria.

■ The filling area is covered by a lid attached to the fixing bracket, providing almost 360 degrees of access for depositing litter.

■ The 50 litre high-density polyethylene basket is fitted with a locking system, employing a standard triangular key, preventing access other than by collection and maintenance staff.

■ The body incorporates a cigarette stubber; an ashtray can be supplied on request.

■ The vandal-resistant fixing post is made from I.H.A F-112 steel tube and electro-plated to prevent rusting.

■ The mounting system, produced in engineered plastic, provides a robust frame that stays fixed inside the bin and facilitates easy installation to lampposts, posts and fences.

■ The latest advances in vandal-resistant technology make the entire structure extremely robust.

■ Low maintenance, with a smooth surface preventing build-up of dirt and facilitating easy cleaning.

■ Innovative design with horizontal bands on the basket presenting a modern, elegant image.

■ Standard distribution colours: grey and burgundy.

■ Customisation:

Body – printing or badge – maximum size: 190 x 190 mm.

Lid – photo transfer print – 370 x 150 mm or 78 mm diameter.

Lid option – 78 mm diameter embossing insert.

■ Packaged in a cardboard box with the Contenur logo in black and stacked on a pallet 1820 x 1200 x 1900 mm. The product is supplied ready-assembled for ease of transport and rapid installation.

Supplied By:

Merlin
Industrial Products Ltd
sales@merlin-industrial.co.uk

Call 0845 124 9955 Fax 0845 125 9955