

Roll Forward Skips (RFS Range)

Roll Forward Skips come with the benefits of having a full length release handle accessible from either side; this eliminates the need to lean dangerously over the skip to activate it. This also means the skip can be tipped if positioned alongside a wall. Drilled castor plates allow for retro-fittings if required

Our best selling tipping skip. This skip can be used for a wide variety of applications and therefore makes it a popular choice for waste handling. Designed to be placed in production areas, Roll Forward skips keep working areas clear and allow safe and speedy removal of scrap or rubbish to the appropriate waste receptacle. All CONTACT skips have unique twin locks and simple to operate release mechanism, all skips also come with a retaining security chain for fastening to the truck.



GALVANISED (G)



STAINLESS (SS)

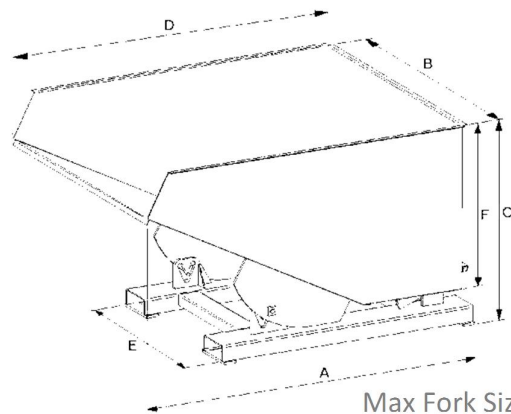


SEMI STAINLESS (SB)



STANDARD

Model Ref.	Weight	C of G Min	C of G Max	Load Centre
RFS 25L	119Kg	818mm	595mm	575mm
RFS 40L	133Kg	899mm	679mm	679mm
RFS 80L	173Kg	1042mm	735mm	735mm
RFS 120L	206Kg	1145mm	835mm	835mm
RFS 160L	228Kg	1178mm	835mm	835mm
RFS 200L	256Kg	1181mm	835mm	835mm
RFS 25L-HD	119Kg	821mm	595mm	575mm
RFS 40L-HD	133Kg	899mm	679mm	679mm
RFS 80L-HD	173Kg	1048mm	735mm	735mm
RFS 120L-HD	206Kg	1151mm	835mm	835mm
RFS 160L-HD	228Kg	1184mm	835mm	835mm
RFS 200L-HD	256Kg	1187mm	835mm	835mm



Model Ref.	Volume	Capacity	A	B	C	D	E	F
RFS 25L	0.25m ³	1000Kg	1148mm	794mm	678mm	1025mm	890mm	547mm
RFS 40L	0.40m ³	1000Kg	1410mm	794mm	781mm	1197mm	890mm	547mm
RFS 80L	0.80m ³	1000Kg	1480mm	1300mm	834mm	1325mm	890mm	600mm
RFS 120L	1.20m ³	1250Kg	1710mm	1300mm	985mm	1540mm	890mm	750mm
RFS 160L	1.60m ³	1250Kg	1710mm	1700mm	985mm	1540mm	890mm	750mm
RFS 200L	2.00m ³	1500Kg	1710mm	2125mm	985mm	1540mm	890mm	750mm