

RANGES

BZSKS - PLATE AND STEM

∅ 35mm  300kg



Pages | 240



BZSKL / 2BZSKL - PLATE

∅ 35-65mm  250-300kg



Pages | 241



BZSKM / 2BZSKM - PLATE

∅ 40-125mm  200-460kg



Pages | 242



BZSKH / 2BZSKM - PLATE

∅ 40-125mm  225-600kg



Pages | 243



EZEELIFT SYSTEM - PLATE

∅ 40-125mm  60-120kg



Pages | 244 - 245



BESPOKE SKATES MADE TO ORDER ASK FOR MORE DETAILS



BZSKS SERIES

The Central Heavy Duty Swivel Head, Mounted On Top Of The Triangular Base Plate, Carries The Load. It Has A Top Plate With Four Bolt Holes For Securing The Load And An Access Hole Is Provided In The Base Plate To Enable Mounting Bolts To Be Fitted.



PLATE FIXING



STEM FIXING



300kg



35mm

Top Plate Fixing

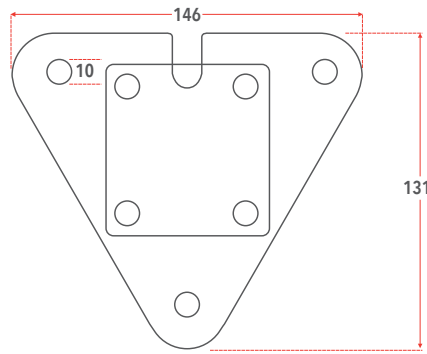
Dia (mm)	Height (mm)	Plate (mm)	Centres (mm)	Fixing Bolt (mm)	Type	Bearing	Code	Load (kg)	Tread (mm)	Swivel Dia (mm)
35	85	85 x 85	55 x 55	10			BZSKS35PTBJ	300	28	190



P 286

96 Shore A
Orange Polyurethane
On Cast Iron

-20°C to +80°C



Stem Fixing

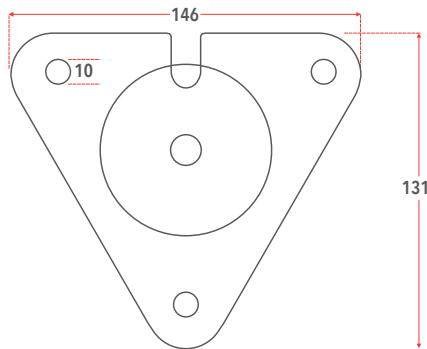
Dia (mm)	Height (mm)	Stem	Stem Length (mm)	Bearing	Code	Load (kg)	Tread (mm)	Swivel Dia (mm)
35	85	M12	25		BZSKS35PTBJST12	300	28	190



P 286

96 Shore A
Orange Polyurethane
On Cast Iron

-20°C to +80°C



BZSKL / 2BZSKL SERIES

The Central Heavy Duty Swivel Head, Mounted On Top Of The Triangular Base Plate, Carries The Load. It Has A Top Plate With Four Bolt Holes For Securing The Load And An Access Hole Is Provided In The Base Plate To Enable Mounting Bolts To Be Fitted.



PLATE FIXING



250-300kg



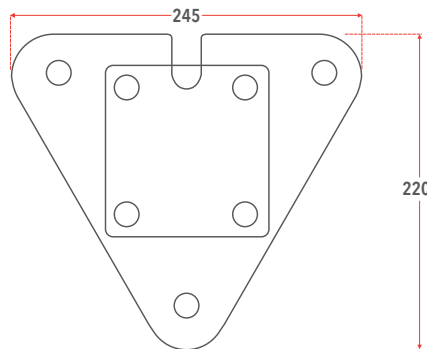
35-65mm

Top Plate Fixing Single Wheel Castor

Dia (mm)	Height (mm)	Plate (mm)	Centres (mm)	Hole Diameter (mm)	Type	Bearing	Nylon -30°C to +80°C			94 Shore A Brown Polyurethane On Cast Iron				
							Code	Load (kg)	Tread (mm)	Swivel Dia (mm)	Code	Load (kg)	Tread (mm)	Swivel Dia (mm)
35	84	115 x 85	80 x 60	8			-	-	-	BZSKL35PTBJ	250	28	272	
40	91	115 x 85	80 x 60	8			BZSKL40NYBJ	250	38	314	BZSKL40PTBJ	250	35	314
50	99	115 x 85	80 x 60	8			BZSKL50NYBJ	275	28	322	BZSKL50PTBJ	275	35	322
60	111	115 x 85	80 x 60	8			-	-	-	BZSKL60PTBJ	300	35	336	
65	114	115 x 85	80 x 60	8			BZSKL65NYBJ	300	37	338	-	-	-	

Top Plate Fixing Twin Wheel Castor

Dia (mm)	Height (mm)	Plate (mm)	Centres (mm)	Hole Diameter (mm)	Type	Bearing	Nylon -30°C to +80°C			94 Shore A Brown Polyurethane On Cast Iron				
							Code	Load (kg)	Tread (mm)	Swivel Dia (mm)	Code	Load (kg)	Tread (mm)	Swivel Dia (mm)
48	95	115 x 85	80 x 60	8			-	-	-	2BZSKL48PTBJ	250	2 x 15	316	
50	99	115 x 85	80 x 60	8			2BZSKL50NY	275	2 x 17	322	2BZSKL50PT	275	2 x 14	322





EZEELIFT SYSTEM

The Ezee Lift System Is Ideal For Moving Bulky And Heavy Objects, Up To 1000kg, Over Short Distances Especially If These Movements Are Repetitive - In Line With Current Health And Safety And Manual Handling Regulations.



PLATE FIXING 35-125mm 750-1000kg



Powered by Bottled Co2 or Compressed Air (not supplied)

Top Plate Fixing

Dia (mm)	Height Retracted (mm)	Height Extended (mm)	Centres (mm)	Fixing Bolt (mm)	Bearing	94 Shore A Polyurethane			Nylon			65 Shore A Blue High Quality Elastic Rubber On Nylon			96 Shore A Brown Polyurethane On Nylon		
						Code	Load (kg)	Tread (mm)	Code	Load (kg)	Tread (mm)	Code	Load (kg)	Tread (mm)	Code	Load (kg)	Tread (mm)
35	174	199	102 x 102	72 x 72		P 286 EZK35PTBJ	750	28	P 256 -	-	-	P 270 -	-	-	P 280 -	-	-
50	194	219	102 x 102	72 x 72		EZK50PTBJ	750	35	EZK50NYBJ	750	28	-	-	-	-	-	-
80	232	257	102 x 102	72 x 72		EZK80PABJ	850	40	EZK80NYBJ	850	32	EZK80SRNB	750	35	-	-	-
100	249	274	102 x 102	72 x 72		EZK100PTBJ	1000	40	EZK100NYBJ	1000	36	EZK100SRNB	850	36	EZK100XPNB	1000	40
125	278	303	102 x 102	72 x 72		EZK125PTBJ	1000	38	EZK125NYBJ	1000	37	EZK125SRNB	1000	36	EZK125XPNB	1000	45

*Load rating stated are per kit of 4 cylinders

As used by professionals from theatres, concert halls, storage facilities and exhibition halls. For any sort of bulky equipment, machinery or property movement on a regular basis in theatres or warehouses for example - especially where space is constricted.

The system can also be run off your compressed air supply providing 10 bar is not exceeded.

Ezee lift saves times, manpower and is very safe to use so long as guidelines are followed.

- Three-wheeled for extra stability
- High load capacity
- Excellent manoeuvrability
- Stroke/rod length 25mm (longer strokes available at special request)
- Fully maintainable - internal replaceable seals
- Four bolt direct to cylinder fixing
- Individual exhaust valves controlling drop speed
- Individual in-line inlet valves controlling raise speed
- Designed to handle uneven loads with ease
- Flow controls can all be set with locking nuts
- Tube made from long-lasting polyurethane
- Easy assembly with push-fit connections
- Supplied with 10 bar single stage CO₂ regulator
- Compressed air regulator also available

Additional castor options available, please call us for full technical support

