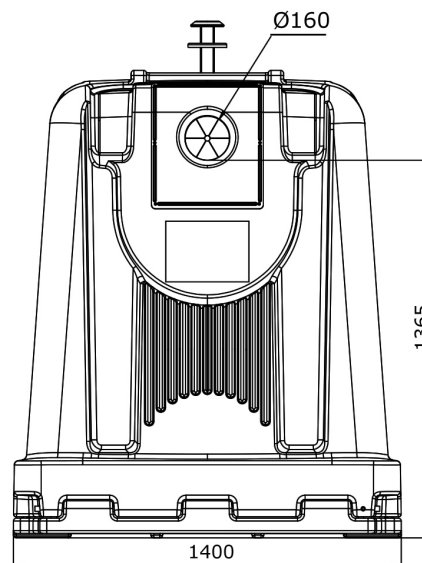
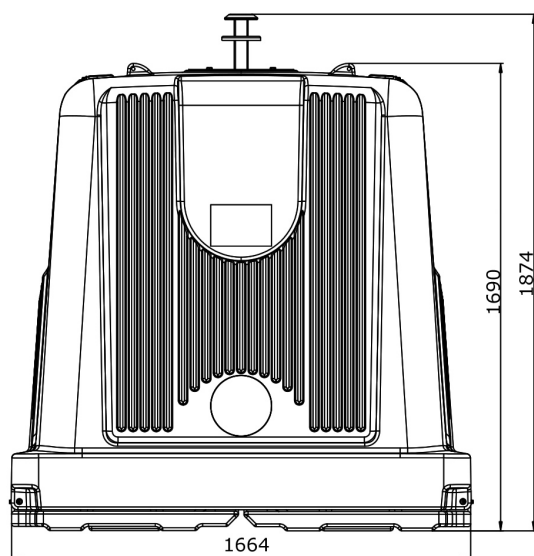


ISLEA "S"



TECHNICAL DATA

Volume:	2.1 m ³
Ground surface :	2.3 m ²
Max. permissible weight:	970 kg
Dead weight:	130 kg
Shell material:	Polyethene - UV stabilized
Hoisting system material:	Hot dip galvanised steel
Hoisting system:	Double hook or mushroom system
Loading height:	1.365 m
Sound level for glass collection:	100 dB (without noise reduction)
Marking:	Recycling insert 125 mm (H) x 350 mm (L) Side surface 300 mm (H) x 220 mm (L); 220 mm (H) x 150 mm (L)
Certification:	EN 13071

OPTIONS

- Recycling inserts for glass, paper and packaging
- Fill level monitoring system
- Battery box
- Noise reduction for glass collection (91 dB acc. to directive 2000/14/EG)
- Fire resistance additive

The products do not contain any substances on the SVHC list of the European Chemicals Agency (ECHA).

These details are subject to technical changes
Created: 2018-05-02
Approved by: TDI
TP ID: 245