

Tidy Bin

fill it to the top and empty it from the base



ATB-10

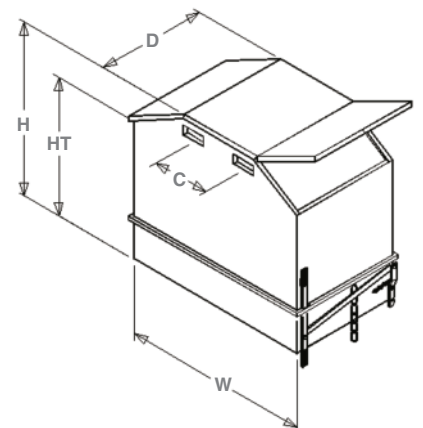
Range Features

- Hinged lids to secure contents
- Colour code the bins
- Can help comply with ISO14001
- Easy to empty from the base with self closing latches
- Castors ensure they are simple to move
- Fork guides to make unloading simpler
- Optional gas strut available to hold the doors open when loading



ATB10/2

	ATB 10 (tidy bin)	ATB 15 (tidy bin)	ATB10/2 (split bin)	ATB15/2 (split bin)
Capacity (m ³)	1.0	1.5	1.0	1.5
Capacity (KG)	350kg	350kg	350kg	350kg
Unladen weight	150kg	190kg	150kg	190kg
Outside dimensions				
Width - W (mm)	1650	1650	1650	1650
Depth - D (mm)	1020	1020	1020	1020
Height - H (off floor mm)	1120	1420	1120	1420
Height - HT (floor - tip mm)	860	1160	860	1160
Base size (mm)	1500 x 906	1500 x 906	1500 x 906	1500 x 906
Loading apertures	390 x 850	390 x 850	390 x 850	390 x 850
Fork tunnels				
Centres - C (mm)	444	444	444	444
Pocket size	180 x 75	180 x 75	180 x 75	180 x 75



Every effort is made to ensure the accuracy of information contained herein but the company accepts no responsibility for decisions based upon any errors, omissions or changes to specifications made post publication.