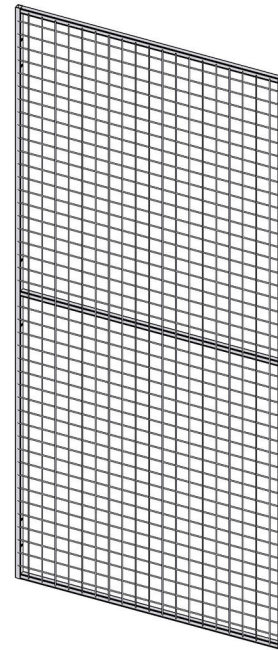


# Storage system Troax Classic

## Mesh Panel UR 350

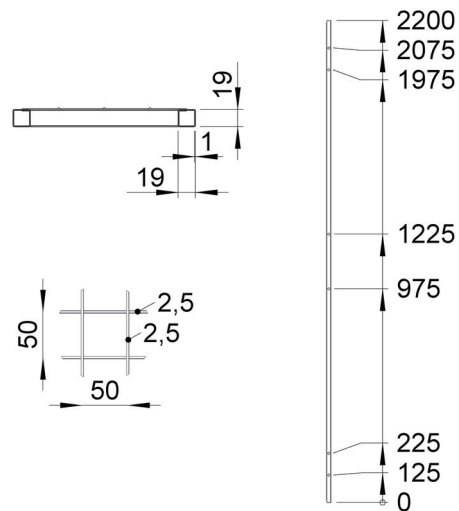
The UR350 panel system from Troax is a light-duty, modular mesh system that is suitable for creating added storage within a well protected environment. The system is ideal for creating inner partitioning walls within a secure storage application when used in conjunction with the Troax UX 450 & 550 panels. It can also be used on its own for applications where a lesser degree of security is required. The 50 x 50mm mesh aperture also makes it difficult for a hand to reach through the panel.



### FACTS

Panel Dimensions	
Panel Height (mm)	Panel Width (mm)
2200	200
2200	300
2200	500
2200	700
2200	800
2200	1000
2200	1200
2200	1500

Mesh size: 50x50 mm, tube 19x19 mm, wire 2,5x2,5 mm



### ACCESSORIES

Cut profile	various length to use after cut height on site
End profile UR/UX L=2200	to use after cut panel length on site
U-profile UR 19x19x2200	various length to use after cut on site

